

SNAP-ON LENS INSTRUCTIONS SHEET

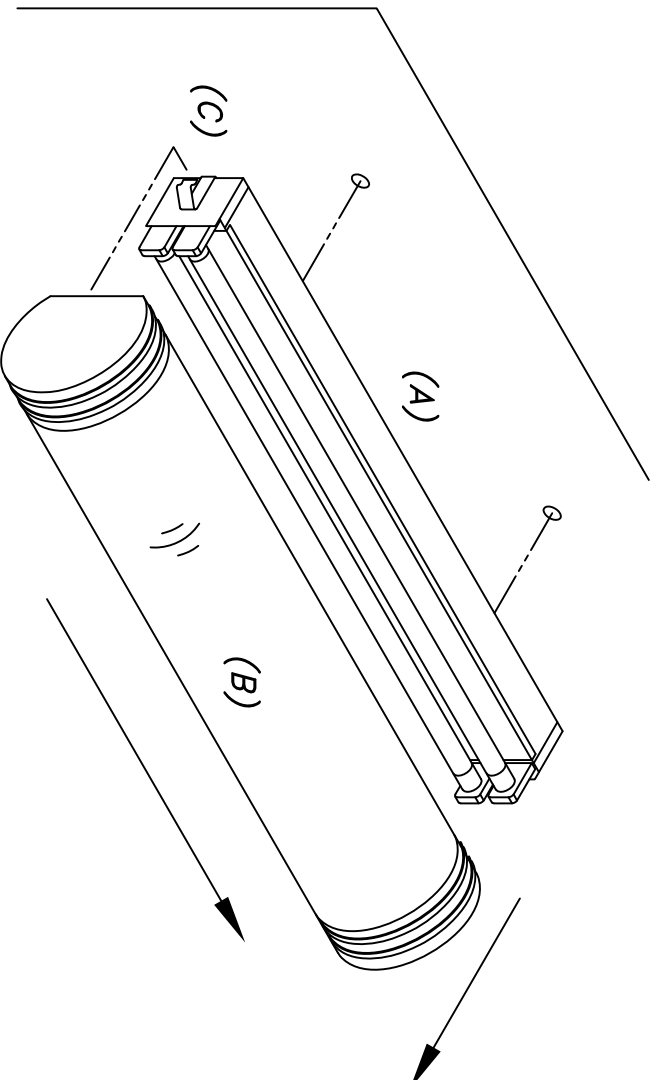
WARNING – Before starting the installation, disconnect the power by turning off the circuit. Turning the power off using the light switch is not sufficient.

TO INSTALL:

1. PLACE CHASSIS ASSEMBLY (A) ON WALL WITH APPROPRIATE WALL ANCHORS (SUPPLIED BY OTHERS).
2. PLACE LENS (B) OVER CHASSIS, PRESS ON OVER SPRING CLIPS (C) ON WALL. BE SURE LENS IS SNUG AGAINST WALL.

TO REMOVE:

1. GRASP LENS ON EACH END CAP FIRMLY.
2. SLIDE TO RIGHT, COMPRESSING SPRING CLIP ON LEFT SIDE.
3. WHILE STILL KEEPING LEFT SPRING CLIP COMPRESSED, PULL OUT ON RIGHT END CAP TO REMOVE LENS.



Lightway

distinctive fluorescent lighting