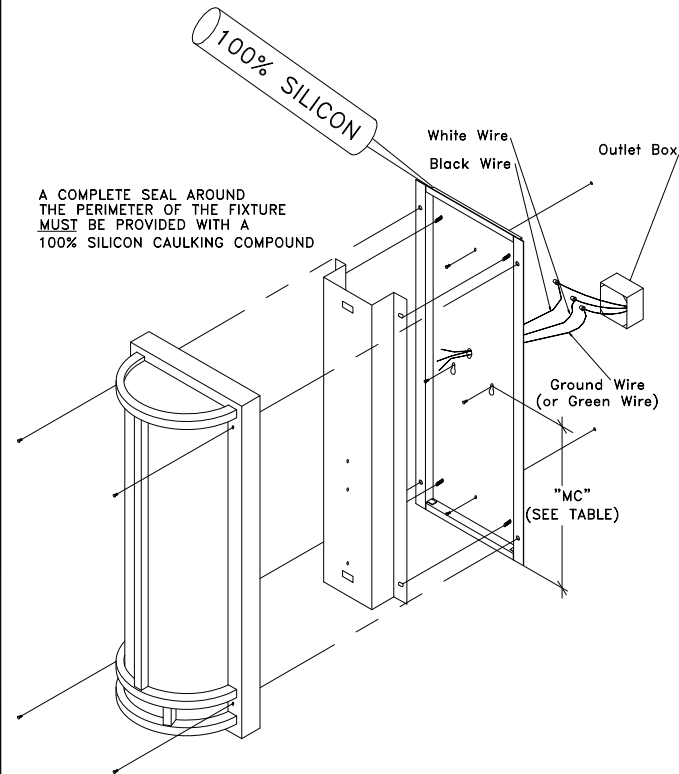


Lightway

distinctive fluorescent lighting

INSTALLATION INSTRUCTIONS

WARNING - Before starting the installation, disconnect the power by turning off the circuit breaker or removing fuse. Turning the power off using the light switch is not sufficient to prevent electrical shock.



1. If you are replacing an existing fixture, disconnect and remove the old fixture. Expose the supply wiring from the outlet box.
2. Route the supply wires from the outlet box through the universal mounting plate and mount the universal mounting strap supplied by Lightway Ind. to the wire outlet box.
3. Raise the fixture back plate key slots to the universal mounting strap. Mark desired mounting location. Lower back plate and pre-drill mounting holes. Insert wall anchors (supplied by others).
4. Raise fixture back plate to mounting location and run supply wires through back plate. Mount the fixture back plate to the wall using screws supplied with wall anchors (supplied by others).
5. Make a seal around the back plate area with caulking compound such as GE 100% or Dow Corning 100% silicone to provide a watertight seal.
6. Make electrical connections: Connect grounding wire (green or bare copper) from the supply circuit to the green colored wire from the fixture. Connect the white wire(s) from the fixture to the white wire of the supply circuit. Connect the black wire(s) from the fixture to the black or supply wire of the supply circuit. Use UL Listed wire connectors. Secure wire connectors with UL Listed electrical tape (supplied by others).
7. Place the chassis housing onto the fixture back plate insuring that all wires are free and not pinched.
8. Install and tighten (4) #8 nuts or screws (provided) for chassis housing as shown in figure.
9. Install the fixture lamp(s) (if provided). Do not exceed wattage as noted on attached label.
10. Install lens cover and lens and tighten (4) 8-32 screws (provided) as shown in figure.
11. Restore power.

MOUNTING CENTERS	
MODEL	MC
607	3-1/2
612	6
616	8
618	9
626	13
638	19
650	25
914	7
916	8
920	10
926	13
938	19
950	25
1110	5
1118	9
1126	13
1138	19
1150	25

IMPORTANT: In order to comply with established electrical code, the installer must seal the area around the fixture base and the wall with caulking compound such as GE 100% or Dow Corning 100% silicone to provide a watertight seal in accordance with the differing surface textures of the wall.

MENW