

# LCLH-LED

## Construction:

- Bottom Diffuser is a White Textured Acrylic
- Side Diffuser is a Translucent Bonded Linen Material with a variety of color options.
- Canopy and housing are steel with a powder coated finish

## Light Source:

- LED
- Dimming to 10% **Included**

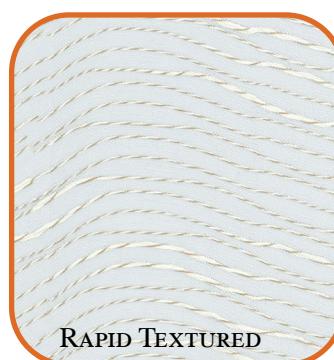
## Notes:

- Mounting Kit Included for standard J-box
- Multiple canopy and stem options available.
- Custom overall heights available
- The LCLH has a typical leadtime of 6-weeks, consult with factory for any minimum order quantities and setup fees
- UL and CUL listed **DAMP** location
- LED Array
  - Replaceable Module
  - CRI > 90
  - Dimming (10% or 1%)
  - Universal 120/277 volt standard
  - 5-Year Warranty on LED Components
- For a ceiling flush mounted version see the **LCLC**

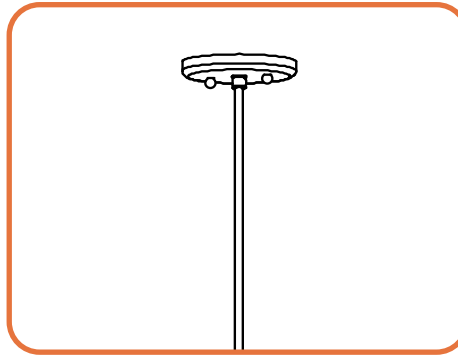
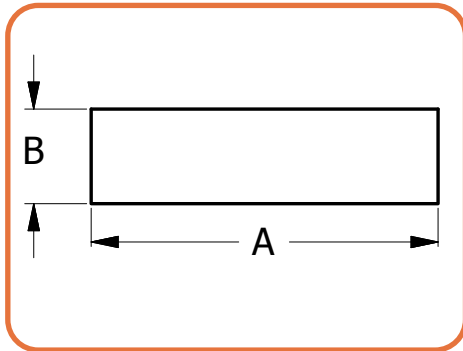
Type:	
Job Name:	



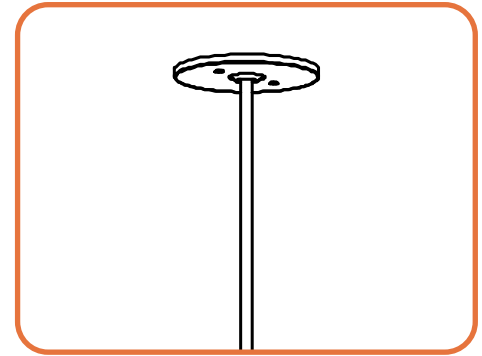
## DIFFUSER OPTIONS



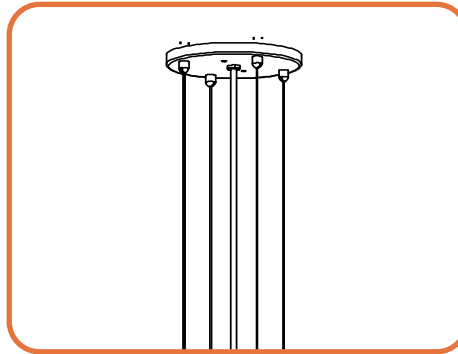
# LCLH-LED



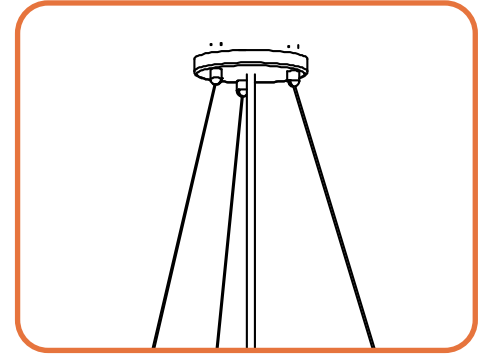
STEM OPTION -1S15



STEM OPTION -1SLM45



STEM OPTION -AIRCRAFT  
CABLE WITH CORD-(4AC-xSJ)



STEM OPTION -AIRCRAFT  
CABLE WITH CORD-(3AC-xSJ)

	DIM 'A'	DIM 'B'	OAH
LCLH-12	12.25"	4.5"	12"
LCLH-15	15"	4.5"	12"
LCLH-19	19"	5.25"	12"
LCLH-24	24"	8"	15"
LCLH-30	30"	8"	24"
LCLH-36	36"	8"	24"

## ORDERING INFORMATION

Example: LCLH-15-LED-F1Q-4-W2-CTA-DIM-1SLM45-12OAH

### LCLH

Size	LED	Watts	Source Lumens	Dimming	Energy Star	Kelvin	Cage	Finish	Diffusers	Options	
12-LED	F1L	9	1400	0-10v	YES	2 3000K 3 3500K 4 4000K		B1 Satin Black	WLA White Linen Acrylic	(Suspension Systems) Please list <b>Over All Height</b>	
	F1O	10	863	TRIAC/ELV	YES			B2 Text Black			CTA Chocolate Textured Acrylic
	F1P	15	1361	TRIAC/ELV	YES			Z1 Satin Bronze Z3 Text Bronze W1 Yolk White W2 Gloss White			
15-LED	F1K	13	2115	0-10v	YES			T4 Shimmer Gray	RTA Rapid Textured Acrylic	1S15 -Single Stem 15 degree swivel 1SLM45 -Single Stem 45 degree swivel 4AC-(4) Aircraft Cable 3AC-(3) Aircraft Cable DIM LED dimming driver (0 - 10v) DIMLD Line Voltage /TRIAC/ELV/120v ES Energy Star listed components T24 Title 24/JA8 Compliant (F10, F1P & F1Q configuration only)	
	F1P	15	1361	TRIAC/ELV	YES			M13 Anod Silver			BLA Black Linen Acrylic
	F1Q	23	2057	TRIAC/ELV	YES			T6 Pewter			
19-LED	L1A	36	4000	0-10v	NO			W13 Pearl Beige	WTA White Textured Acrylic	OCCHFA Concealed Occupancy Sensor See Sensor Resource Sheet	
	F1Q	23	2057	TRIAC/ELV	YES			Optional (See Price List)			
24-LED	L1A	36	4000	0-10v	NO			M17 Brass Powder		Battery Backup Options (Available with 0-10v only) BB10 10 Watts (1170lm) for 90-Minutes	
30-LED	O4C	36	4840	0-10v	NO						
36-LED	O8C	72	9680	0-10v	NO						
	O12C	107	14520	0-10v	NO						



28435 Industry Drive., Valencia, California 91355  
800-325-4448 /661-257-0286 • fax 800-323-2346 /661-257-0201  
www.lightwayind.com • sales@lightwayind.com

